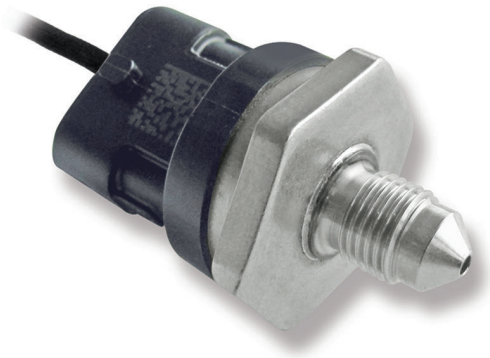


Pressure Sensor Fluid PSC-260

www.bosch-motorsport.com



BOSCH
Invented for life



- ▶ Absolute fluid pressure measurement
- ▶ Measurement range 0 to 260 bar
- ▶ For gasoline, Diesel, oil or brake fluid
- ▶ Robust and compact design
- ▶ High robustness against vibrations

The PSC-260 is specially designed to measure absolute pressure in gasoline direct injection applications. This sensor is also compatible with other kind of fluids e.g. Diesel, engine oil, transmission oil or brake fluid. The sensor uses a thin layer technique to achieve high accuracy pressure measurements. The stainless steel measuring cells with piezoresistive bridges are hermetically welded with stainless steel pressure ports. The internal reference ensures ambient pressure independent measurements.

The main benefits of this sensor are its high accuracy, its wide measurement range and its robust and compact design.

Application

Application	0 to 260 bar (a)
Pressure reference type	absolute
Max. pressure	320 bar
Operating temp. range	-40 to 130°C (140°C)
Media temp. range	-40 to 130°C (140°C)
Storage temp. range	-30 to 60°C
Max. vibration	560 m/s ² at 800 to 900 Hz 350 m/s ² at 1.000 to 2.500 Hz

Technical Specifications

Mechanical Data

Male thread	M10 x 1
Wrench size	27 mm
Installation torque	22 Nm in steel 32.5 Nm in aluminum
Weight w/o wire	35.2 g
Sealing	sealed cone

Electrical Data

Power supply U_s	4.75 to 5.25 V
Max power supply U_s max	16 V
Full scale output U_A	10 to 90 % U_s ratio metric
Current I_s	12 mA

Characteristic

Load capacity	10 nF
Output resistance	10 Ohm

Tolerance (FS)	+ 1 % (0 to 100°C) + 1.5 % (-40 to 0°C and 100 to 130°C)
Sensitivity	15.38 mV/bar at $U_s = 5\text{ V}$
Offset	500 mV at $U_s = 5\text{ V}$

Connectors and Wires

Connector	ASL 6-06-05PC-HE
Mating connector ASL 0-06-05SC-HE	F 02U 000 228-01
Pin 1	-
Pin 2	Gnd
Pin 3	Sig
Pin 4	U_s
Pin 5	-

Various motorsport and automotive connectors are available on request.

Please specify the required wire length with your order.

Sleeve	DR-25
Wire length L	13 to 95 cm

Installation Notes

The PSC-260 can be connected directly to most control units. Please consider the TCI for the electrical connection of the sensor.

The sensor has a protection for overvoltage, reverse polarity and short-circuit.

Please do not fix the sensor directly to the engine block to avoid undesired strong vibrations.

Each mounting orientation is possible.

Please consider using the adapter F 02U 002 711-01.

The sensor meets all EMV, EMC and ESD automotive standards.

Please find further application hints in the offer drawing and free download of the sensor configuration file (*.sdf) for the Bosch Data Logging System at our homepage.

Safety Note

The sensor is not intended to be used for safety related applications without appropriate measures for signal validation in the application system.

Ordering Information

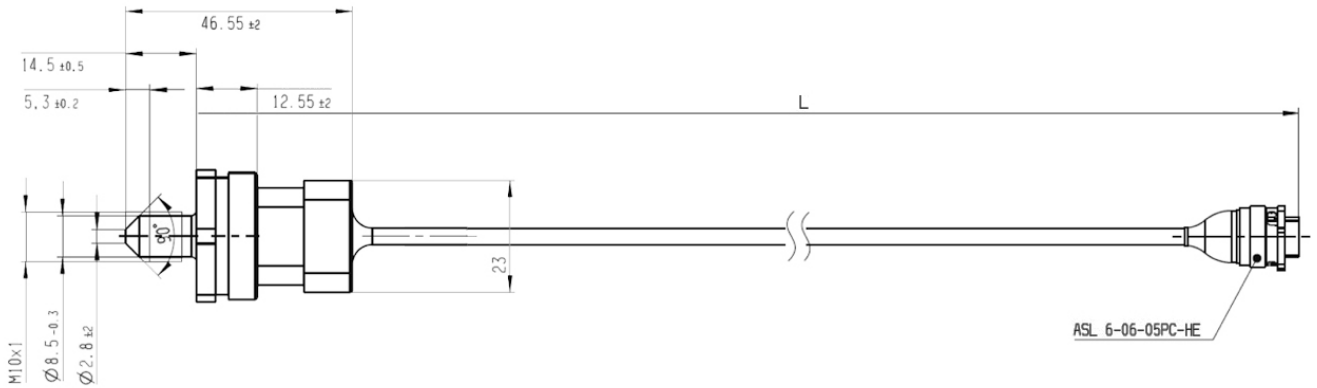
Pressure Sensor Fluid PSC-260
Order number **F 02U V00 990-03**

Accessories

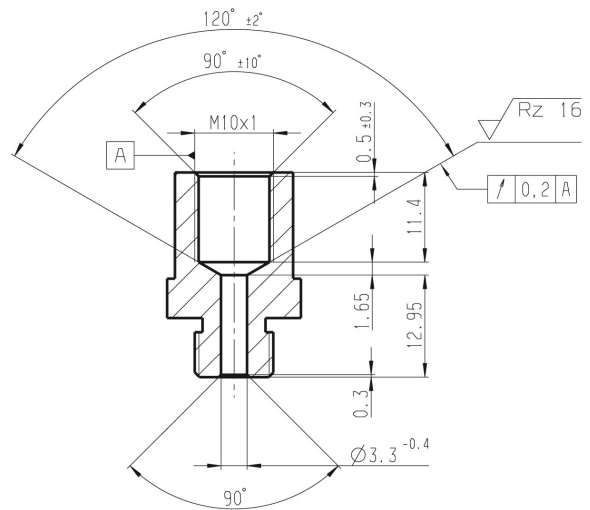
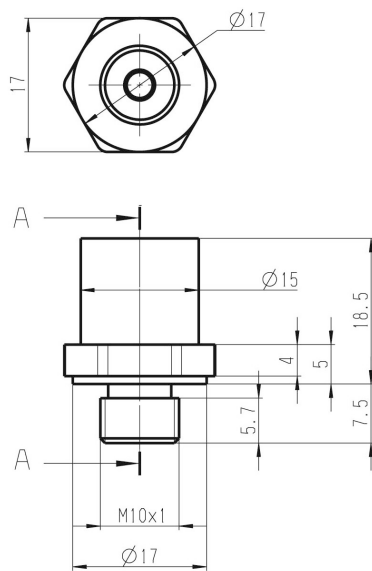
Adapter

Order number **F 02U 002 711-01**

Dimensions



Sensor



Adapter

Represented by:

Europe:
 Bosch Engineering GmbH
 Motorsport
 Robert-Bosch-Allee 1
 74232 Abstatt
 Germany
 Tel.: +49 7062 911 9101
 Fax: +49 7062 911 79104
 motorsport@bosch.com
 www.bosch-motorsport.de

North America:
 Bosch Engineering North America
 Motorsport
 38000 Hills Tech Drive
 Farmington Hills, MI 48331-3417
 United States of America
 Tel.: +1 248 876 2977
 Fax: +1 248 876 7373
 motorsport@bosch.com
 www.bosch-motorsport.com

Latin America:
 Robert Bosch Ltda
 Motorsport
 Av Juscelino Kubitscheck de
 Oliveira 11800
 Zip code 81460-900
 Curitiba - Parana
 Brasilia
 Tel.: +55 41 3341 2057
 Fax: +55 41 3341 2779

Asia-Pacific:
 Bosch Engineering Japan K.K.
 Motorsport
 18F Queen's Tower C, 2-3-5 Minato Mirai
 Nishi-ku, Yokohama-shi
 Kanagawa 220-6218
 Japan
 Tel.: +81 45 650 5610
 Fax: +81 45 650 5611
 www.bosch-motorsport.jp

Australia, New Zealand and South Africa:
 Robert Bosch Pty. Ltd
 Motorsport
 1555 Centre Road
 Clayton, Victoria, 3168
 Australia
 Tel.: +61 (3) 9541 3901
 motor.sport@au.bosch.com