

# Pressure Sensor Fluid PSS-10

www.bosch-motorsport.com



**BOSCH**  
Invented for life



- ▶ Absolute fluid pressure measurements
- ▶ Measurement range 0.5 to 11.0 bar
- ▶ Analog output
- ▶ Integrated series connector

This sensor is designed to measure absolute pressure of various kinds of media e.g. Diesel, gasoline, water, engine oil, transmission oil or air.

The sensor uses stainless steel measuring cells with piezo-resistive measuring bridges in thin layer technique. These are hermetically welded together with stainless steel pressure ports. This guarantees a complete media compatibility.

The main benefit of this sensor is the high quality of a production part at a low price.

## Application

Application	0.5 to 11 bar (a)
Pressure reference type	absolute
Max. pressure	20 bar
Operating temp. range	-40 to 125°C (140°C)
Media temp. range	-40 to 125°C (140°C)
Storage temp. range	-20 to 50°C
Bio fuel compatibility	E 85 / M 100
Max. vibration	100 m/s <sup>2</sup> rms at 10 to 2,000 Hz

## Technical Specifications

### Mechanical Data

Male thread	M10x1
Wrench size	17 mm
Installation torque	15 Nm
Weight w/o wire	45 g
Sealing	O-ring 7.65 x 1.63 mm

### Electrical Data

Power supply $U_s$	4.75 to 5.25 V
Max power supply $U_s$ max	± 30 V
Full scale output $U_A$	10 to 90 % $U_s$ ratiometric
Current $I_s$	8 mA

### Characteristic

Response time T10/90	1.5 ms
Compensated range	0 to 90°C
Tolerance (FS) at $U_s = 5$ V	± 0.1 bar
Tolerance (FS)	± 1 %

Sensitivity	400 mV/bar at $U_s=5\text{ V}$
Offset	100 mV at $U_s=5\text{ V}$

### Connectors and Wires

Connector	Bosch Compact
Mating connector	3-pole Compact D 261 205 339-1
Pin 1	Gnd
Pin 2	Sig
Pin 3	$U_s$
Pin 4	-
Pin 5	-

### Installation Notes

The PSS-10 can be connected directly to most control units.

The sensor has a protection for over voltage, reverse polarity and short-circuit.

Please do not fix the sensor directly to the engine block to avoid undesired strong vibrations.

Each mounting orientation is possible.

The sensor meets all EMV, EMC and ESD automotive standards.

Please find further application hints in the offer drawing and free download of the sensor configuration file (\*.sdf) for the Bosch Data Logging System at our homepage.

### Safety Note

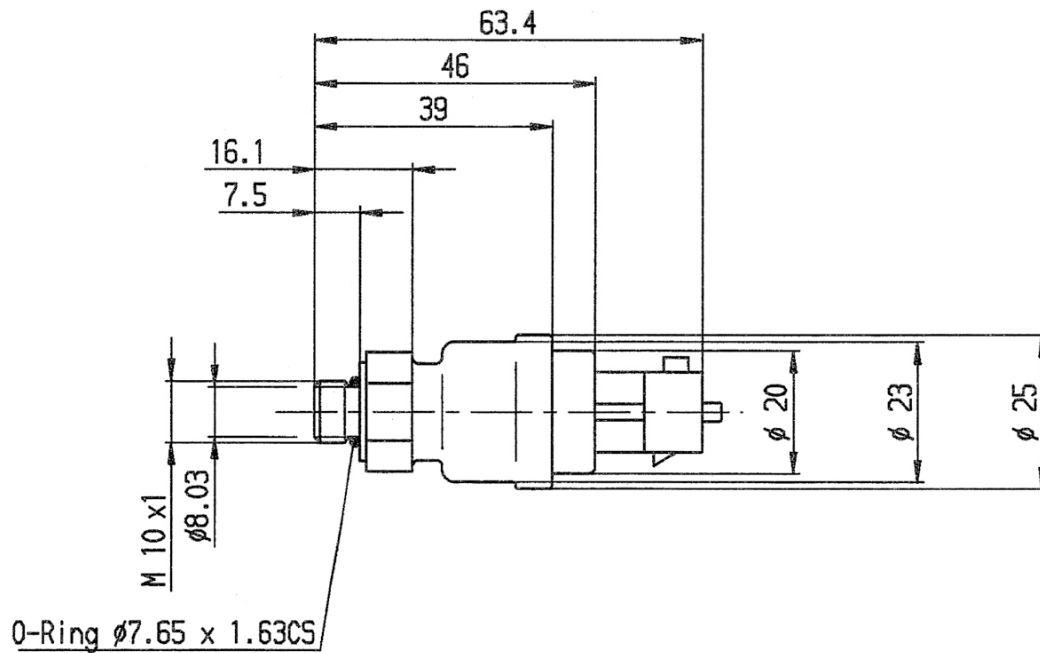
The sensor is not intended to be used for safety related applications without appropriate measures for signal validation in the application system.

### Ordering Information

#### Pressure Sensor Fluid PSS-10

Order number **B 261 209 341-01**

## Dimensions



## Represented by:

**Europe:**  
 Bosch Engineering GmbH  
 Motorsport  
 Robert-Bosch-Allee 1  
 74232 Abstatt  
 Germany  
 Tel.: +49 7062 911 9101  
 Fax: +49 7062 911 79104  
 motorsport@bosch.com  
 www.bosch-motorsport.de

**North America:**  
 Bosch Engineering North America  
 Motorsport  
 38000 Hills Tech Drive  
 Farmington Hills, MI 48331-3417  
 United States of America  
 Tel.: +1 248 876 2977  
 Fax: +1 248 876 7373  
 motorsport@bosch.com  
 www.bosch-motorsport.com

**Latin America:**  
 Robert Bosch Ltda  
 Motorsport  
 Av Juscelino Kubitschek de  
 Oliveira 11800  
 Zip code 81460-900  
 Curitiba - Parana  
 Brasilia  
 Tel.: +55 41 3341 2057  
 Fax: +55 41 3341 2779

**Asia-Pacific:**  
 Bosch Engineering Japan K.K.  
 Motorsport  
 18F Queen's Tower C, 2-3-5 Minato Mirai  
 Nishi-ku, Yokohama-shi  
 Kanagawa 220-6218  
 Japan  
 Tel.: +81 45 650 5610  
 Fax: +81 45 650 5611  
 www.bosch-motorsport.jp

**Australia, New Zealand and South Africa:**  
 Robert Bosch Pty. Ltd  
 Motorsport  
 1555 Centre Road  
 Clayton, Victoria, 3168  
 Australia  
 Tel.: +61 (3) 9541 3901  
 motor.sport@au.bosch.com